

REQUIRED ITEMS:

- A) CPU-2000 LOGIC MODULE - 1 per system

PART NO.	DESCRIPTION
291100-1 W620004-V2.1	Logic Module Firmware Option: ModBus communication and dual secondary diagnostics*
291100-1S W620004-V2.1S1	Logic Module, no test function Firmware Option: ModBus communication and dual secondary diagnostics*

* NOTE: To update older units to these features, order firmware upgrade kit 620003-V2.1 or 620003-V2.1S1 (no test function).

MEMORY PART NO. CODE (see application listings). Example: F2A360.HS012#005

DESIGNATOR	DESCRIPTION
F	Letter in alphabet corresponding to no. of engine cylinders: C=3, D=4, E=5, F=6, G=7, H=8, I=9, J=10, L=12, N=14, P=16, R=18, T=20, X=24, Z=32
2	Engine stroke-cycle: 2 = 2-cycle 4 = 4-cycle 6 = 2-cycle with two outputs for each cylinder/2nd plug cutout feature 8 = 4-cycle with two outputs for each cylinder/2nd plug cutout feature
A	Altronic firing pattern code: A = even firing pattern, Other letters = odd firing pattern
360	No. of sensed teeth or holes: 360 = 360 holes or teeth
H	Memory series code: H = CPU-2000
S	Timing curve code: A = 48 degree retard for 4-20 mA input, 3 degrees retard default timing B = 36 degree retard for 4-20 mA input, 3 degrees retard default timing C = 24 degree retard for 4-20 mA input, 3 degrees retard default timing N = special range vs. 4-20 mA or RPM, non-factory programmed S = special range vs. 4-20 mA or RPM, factory programmed X = no timing curve programmed
012	Special timing curve version no.
#005	Feature code (add numbers chosen; only one choice permitted per feature): 001 = 1-step retard when misc. input is grounded 016 = 1-step retard when rpm is less than 200 002 = Max. energy when misc. input is grounded 032 = Max. energy when rpm is less than 200 004 = Multi-strike firing when misc. input is grounded 064 = Multi-strike firing when rpm is less than 200 008 = Fire 2nd plug only when misc. input is grounded 128 = Fire 2nd plug only when rpm is less than 200 Example: 005 = feature 001 + feature 004.
2nd example: L4H360.HC#080	12-cylinder, 4-cycle 45E-75E firing pattern (L4H) 360 sensed teeth 24E timing range for 4-20mA Feature codes 016 and 064 selected

REQUIRED ITEMS:

B) CPU-2000 OUTPUT MODULE - 1 per system

PART NO.	DESCRIPTION
291116-1	Output Module, 16 outputs
291132-1	Output Module, 32 outputs (standard)
291132-2	Output Module, 32 outputs (special - see NOTE below)

NOTE: Optimum results are obtained with the optional Diagnostic Module if each ignition coil is connected to a separate primary output. To realize this on 9-16 cylinder engines with two ignition coils per cylinder, use:

- Output Module 291132-1 where the application listing indicates note 2.
- Output Module 291132-2 where the application listing indicates note 3. This Output Module allows engine with close firing angles to fire two outputs simultaneously. Note that the multi-strike feature is NOT available in Output Module 291132-2.

C) CPU-2000 DIAGNOSTIC MODULE (OPTIONAL) - 1 item from each category per system

PART NO.	DESCRIPTION
<i>Diagnostic Module:</i>	
291105-1	Diagnostic Module
W601868-V2.1	Firmware Option: ModBus communication and dual secondary diagnostic
<i>Cable Assembly, Diagnostic Module to Output Module:</i>	
293031-24	Cable, shielded, 180E connector, 24" conduit
293031-48	Cable, shielded, 180E connector, 48" conduit
293031-72	Cable, shielded, 180E connector, 72" conduit
<i>Cable Assembly, Diagnostic Module to Junction Box:</i>	
593050	Pickup Cable, unshielded, 90E connector, 48" conduit, 50 ft. cable
593052-L	Pickup Cable, shielded, 180E connector, L" conduit, 25 ft. cable L = 6", 12", 18", 24", 36", 48", 72", 96"
593057-L	Pickup Cable, shielded, 90E connector, L" conduit, 25 ft. cable L = 6", 12", 18", 24", 36", 48", 72", 96"

NOTE: Logic Module EPROM (601707) and Microprocessor (601747) must be Version 2.0 or higher to operate properly with the Diagnostic Module. To update older units to the latest features (Version 2.1), order firmware upgrade kit 620003-V2.1 or 620003-V2.1S1 (no test function).

D) CABLE ASSEMBLY, LOGIC MODULE TO OUTPUT OR DIAGNOSTIC MODULE - 1 per system

PART NO.	DESCRIPTION
293030-25	Cable, shielded, 180E connector, 72" conduit, 25' leads
293030-50	Cable, shielded, 180E connector, 72" conduit, 50' leads
293030-75	Cable, shielded, 180E connector, 72" conduit, 75' leads

REQUIRED ITEMS:

- E) OUTPUT HARNESS, CPU-2000 UNIT TO J-BOX - 1 per system

PART NO.	DESCRIPTION
293023-8	Harness, shielded, 90E connector, 48" conduit, 72" leads, 8 outputs
293023-16	Harness, shielded, 90E connector, 48" conduit, 72" leads, 16 outputs
293026-8	Harness, shielded, 90E connector, 84" conduit, 120" leads, 8 outputs
293026-16	Harness, shielded, 90E connector, 84" conduit, 120" leads, 16 outputs
293027-8	Harness, shielded, 90E connector, 144" conduit, 180" leads, 8 outputs
293027-16	Harness, shielded, 90E connector, 144" conduit, 180" leads, 16 outputs
293028-8	Harness, shielded, 90E connector, 96" conduit, 180" leads, 8 outputs
293028-16	Harness, shielded, 90E connector, 96" conduit, 180" leads, 16 outputs

NOTE: Output Module 291116-1 requires one of the above harnesses.

Output Modules 291132-1 and 291132-2 require two harnesses 29302x-16.

- F) MAGNETIC PICKUP - 2 per system

PART NO.	DESCRIPTION
691118-1	Magnetic Pickup, 5/8"-18 thread x 1.75" threaded body length
691118-2	Magnetic Pickup, 5/8"-18 thread x 2.50" threaded body length
691118-3	Magnetic Pickup, 5/8"-18 thread x 3.00" threaded body length
691118-4	Magnetic Pickup, 5/8"-18 thread x 4.50" threaded body length
691118-6	Magnetic Pickup, 5/8"-18 thread x 6.00" threaded body length

- G) CABLE ASSEMBLY, MAGNETIC PICKUP - 2 per system

PART NO.	DESCRIPTION
593048-L	Pickup Cable, shielded, 180E connector, L" conduit, 50 ft. cable L = 12", 18", 24", 36", 48", 72", 96"
593054-L	Pickup Cable, shielded, 90E connector, L" conduit, 50 ft. cable L = 12", 18", 24", 36", 48", 72", 96"
693104-1	Pickup Cable, unshielded, 180E connector, 10 ft. cable
693104-2	Pickup Cable, unshielded, 180E connector, 20 ft. cable
693104-3	Pickup Cable, unshielded, 180E connector, 30 ft. cable
693104-4	Pickup Cable, unshielded, 180E connector, 40 ft. cable
693104-5	Pickup Cable, unshielded, 180E connector, 50 ft. cable

NOTE: Above shielded cables are CSA certified for Class I, Division 2, Group D hazardous locations when used with other applicable CSA-certified Altronic components.

REQUIRED ITEMS:

H) CYCLE TRIGGER (4-CYCLE ENGINES ONLY) - 1 from each category below per system

PART NO.	DESCRIPTION
<i>Trigger Magnet (camshaft mount):</i>	
260604	Trigger Magnet, 3/4" dia. x 8 mm thread (max. rotating circle is 15" dia.)
260605	Trigger Magnet, 3/4" hex x 8 mm thread (max. rotating circle is 15" dia.)
720002	Trigger Magnet, 3/8" hex x 8 mm thread (max. rotating circle is 6" dia.)
<i>Hall-effect Pickup:</i>	
591014-2	Hall-effect Pickup, 5/8"-18 thread x 2.5" threaded body length
591014-4	Hall-effect Pickup, 5/8"-18 thread x 4.0" threaded body length
<i>Pickup Cable:</i>	
593050	Pickup Cable, unshielded, 180E connector, 25 ft. cable
593052-L	Pickup Cable, shielded, 180E connector, L" conduit, 25 ft. cable L = 6", 12", 18", 24", 36", 48", 72", 96"
593057-L	Pickup Cable, shielded, 90E connector, L" conduit, 25 ft. cable L = 6", 12", 18", 24", 36", 48", 72", 96"

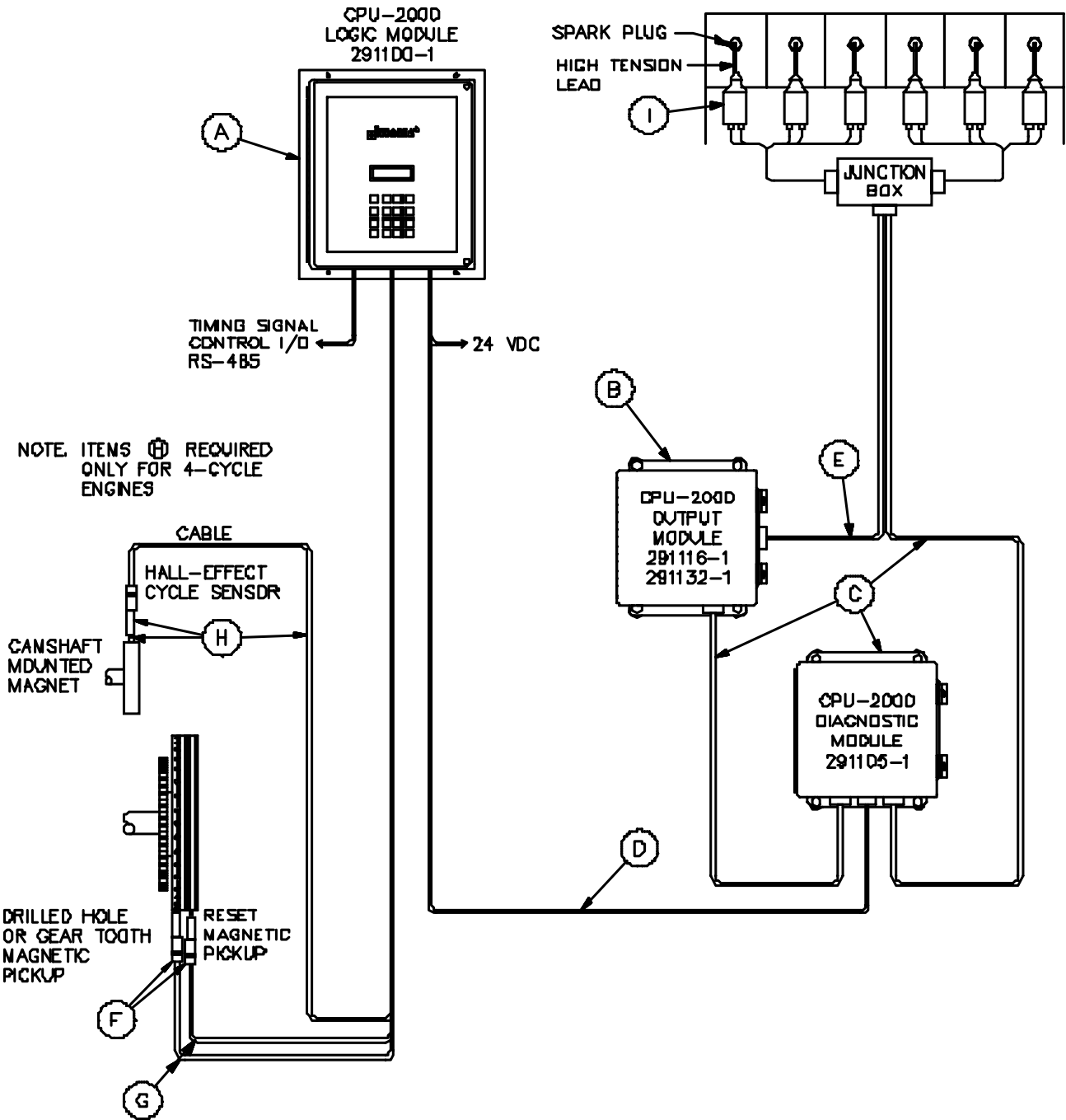
NOTE: Above shielded cables are CSA certified for Class I, Division 2, Group D hazardous locations when used with other applicable CSA-certified Altronic components.

I) IGNITION COILS - 1 per spark plug

PART NO.	DESCRIPTION
291001	Unshielded Coil
291001-S	Shielded Coil
591008	Integral Coil, 1"-20 thread x 5.6" length

NOTE: IF RETROFITTING FROM AN ALTRONIC II-CPU SYSTEM, ITEMS E, F, G, H AND I ABOVE CAN BE REUSED.

CPU-2000 IGNITION SYSTEM - BASIC LAYOUT



**ALTRONIC CPU-2000 IGNITION SYSTEM
LARGE ENGINES, 3-20 CYLINDERS**

**APPLICATION LIST
FORM CPU-2000 AL 1-02**

ENGINE MODEL NO.	FIRING PATTERN	CPU-2000 OUTPUT MOD.	MEMORY CODE NO.	QTY. COILS	NOTES	
CLARK						
BA,HBA,HBA-T,HLA	- 5	72E	291116-1	E2Axxx.HA	10	1
	- 6	60E	291116-1	F2Axxx.HA	12	1
	- 8	67.5E-22.5E	291116-1	H2Cxxx.HA	16	1
	-10	36E	291116-1	J2Axxx.HA	20	2
MA,HMA,HMB,TMB	- 4	90E	291116-1	D2Axxx.HA	4 / 8	1
	- 6	60E	291116-1	F2Axxx.HA	6 / 12	1
	- 8	22.5E-67.5E	291116-1	H2Hxxx.HA	8 / 16	1
	-10	36E	291116-1	J2Axxx.HA	10 / 20	2
RA,HRA,HRA-T,HSRA	-32	120E	291116-1	C2Axxx.HA	6	1
	- 4	90E	291116-1	D2Axxx.HA	8	1
	- 5	72E	291116-1	E2Axxx.HA	10	1
	- 6	60E	291116-1	F2Axxx.HA	12	1
	- 8	45E	291116-1	H2Axxx.HA	16	1
TCV,TCVA,TCVC TCVD,TPV	-10	50E-22E	291116-1	J2Txxx.HA	20	2
	-12	50E-10E	291116-1	L2Txxx.HA	24	3
	-16	22.5-27.5-22.5-17.5	291116-1	P2Hxxx.HA	32	2
	-20	14E-22E	291132-1	T2Hxxx.HA	40	6
TLA,TLAC,TLAD,TRA	- 5	72E	291116-1	E2Axxx.HA	10	1
	- 6	60E	291116-1	F2Axxx.HA	12	1
	- 8	67.5E-22.5E	291116-1	H2Cxxx.HA	16	1
	-10	36E	291116-1	J2Axxx.HA	20	2
TVM	-10	50E-22E	291116-1	J2Txxx.HA	20	6
	-12	50E-10E	291116-1	L2Txxx.HA	24	6
VRA	-12	8-55-2-55	291116-1	L2Qxxx.HA	24	6
	-16	Contact factory	291116-1	P2xxxx.HA	32	6
	-20	Contact factory	291132-1	T2xxxx.HA	40	6
COOPER BESSEMER						
GMV (short stroke)	- 4	63E-117E	291116-1	D2Fxxx.HA	4	
	- 6	63E-57E	291116-1	F2Fxxx.HA	6	
	- 8	63E-27E	291116-1	H2Fxxx.HA	8	
	-10	63E-9E	291116-1	J2Fxxx.HA	10	3
GMV,GMVA,GMVC GMVE,GMVG,GMVH (flat crank)	- 4	60E-120E	291116-1	D2Bxxx.HA	8	1
	- 6	60E	291116-1	F2Axxx.HA	12	1
	- 8	60E-30E	291116-1	H2Txxx.HA	16	1
	- 8	0-60-0-120	291116-1	H2Nxxx.HA	16	6
	-10	60E-12E	291116-1	J2Bxxx.HA	20	3
	-12	0E-60E	291116-1	L2Rxxx.HA	24	6

COOPER BESSEMER LISTING CONTINUED ON NEXT PAGE

**ALTRONIC CPU-2000 IGNITION SYSTEM
LARGE ENGINES, 3-20 CYLINDERS**

**APPLICATION LIST
FORM CPU-2000 AL 1-02**

ENGINE MODEL NO.	FIRING PATTERN	CPU-2000 OUTPUT MOD.	MEMORY CODE NO.	QTY. COILS	NOTES	
COOPER BESSEMER (continued)						
GMW,GMWA,GMWC	- 6	36E-84E	291116-1	F2Dxxx.HA	12	1
GMWE,GMWH	- 8	36E-54E	291116-1	H2Dxxx.HA	16	1
	-10	36E	291116-1	J2Axxx.HA	20	2
	-12	36E-24E	291116-1	L2Dxxx.HA	24	2
	-16	36E-9E	291116-1	P2Dxxx.HA	32	3
GMX,GMXA,GMXB	- 4	63E-117E	291116-1	D2Fxxx.HA	4	1
GMXC,GMXD,GMXE	- 6	63E-57E	291116-1	F2Fxxx.HA	6	1
	- 8	63E-27E	291116-1	H2Fxxx.HA	8	1
	-10	63E-9E	291116-1	J2Fxxx.HA	10	3
	-12	0-63-0-57	291116-1	L2Xxxx.HA	12	6
JS, LS	- 6	120E	291116-1	F4Axxx.HC	12	1
	- 6	4E-116E	291116-1	L4Sxxx.HC	12	
	- 8	90E	291116-1	H4Axxx.HC	16	1
	- 8	4E-86E	291116-1	P4Sxxx.HC	16	
LSV	-12	36E-84E	291116-1	L4Lxxx.HC	24	2
	-12	4-32-4-80	291132-1	X4Lxxx.HC	24	
	-16	36E-54E	291116-1	P4Lxxx.HC	32	2
	-16	4-32-4-50	291132-1	Z4Lxxx.HC	32	
Q145,Q145H	- 8	60E-30E	291116-1	H2Txxx.HA	16	1
Q155,Q155H	-12	0E-60E	291116-1	L2Rxxx.HA	24	6
(QUAD)	-16	15E-30E	291116-1	P2Bxxx.HA	32	6
	-20	24E-12E	291132-1	T2Bxxx.HA	40	6
V-250,V-275,W-330	- 6	36E-84E	291116-1	F2Dxxx.HA	12	1
	- 8	36E-54E	291116-1	H2Dxxx.HA	16	1
	-10	36E	291116-1	J2Axxx.HA	20	2
(odd crank)	-10	30-6-30-84-30-6-30-54-36-54	291116-1	J2Wxxx.HA	20	3
(63E crank)	-12	36E-24E	291116-1	L2Dxxx.HA	24	2
	-12	36-18-36-27-36-27	291116-1	L2Vxxx.HA	24	2
(76.5E crank)	-12	9-27-40.5-36-40.5-27	291116-1	L2Uxxx.HA	24	3
	-16	18-18-36-18	291116-1	P2Exxx.HA	32	2
Z-330	-12	40E-20E	291116-1	L2Zxxx.HA	24	2
	-16	20-20-30-20	291116-1	P2Zxxx.HA	32	2
(90E crank)	-16	0-40-0-50	291116-1	P2Nxxx.HA	32	6

**ALTRONIC CPU-2000 IGNITION SYSTEM
LARGE ENGINES, 3-20 CYLINDERS**

**APPLICATION LIST
FORM CPU-2000 AL 1-02**

ENGINE MODEL NO.	FIRING PATTERN	CPU-2000 OUTPUT MOD.	MEMORY CODE NO.	QTY. COILS	NOTES	
DE LAVAL						
HVA	- 6	120E	291116-1	F4Axxx.HC	12	1
	- 8	46E-134E	291116-1	H4Oxxx.HC	16	1
	- 12	46E-74E	291116-1	L4Oxxx.HC	24	2
	- 16	46E-44E	291116-1	P4Oxxx.HC	32	2
INGERSOLL RAND						
KVG, KVGR	- 26	165E-75E	291116-1	F4Cxxx.HC	6	
	- 36	165E-75E	291116-1	F4Cxxx.HC	6	
	- 48	90-90-90-135-90-90-90-45	291116-1	H4Exxx.HC	8	
	- 48	90-135-45-135-90-45-135-45	291116-1	H4Kxxx.HC	8	
	- 62	165E-75E	291116-1	F4Cxxx.HC	6	
	- 82	45E-135E	291116-1	H4Hxxx.HC	8	
	- 83	90-90-90-135-90-90-90-45	291116-1	H4Exxx.HC	8	
	-103	117E-27E	291116-1	J4Exxx.HC	10	
	-104	117E-27E	291116-1	J4Exxx.HC	10	
	-123	45E-75E	291116-1	L4Hxxx.HC	12	
	-410	117E-27E	291116-1	J4Exxx.HC	10	
	-410	45-120-75-45-75-45-75-120-45-75	291116-1	J4Gxxx.HC	10	
	-412	45E-75E	291116-1	L4Hxxx.HC	12	
	-510	117E-27E	291116-1	J4Exxx.HC	10	
	-510	45-120-75-45-75-45-75-120-45-75	291116-1	J4Gxxx.HC	10	
-512	45E-75E	291116-1	L4Hxxx.HC	12		
KVS, KVSE KVSF, KVSR	- 36	165E-75E	291116-1	F4Cxxx.HC	12	1
	- 48	90-135-45-135-90-45-135-45	291116-1	H4Kxxx.HC	16	1
	-410	45-75-45-75-120-45-75-45-75-120	291116-1	J4Sxxx.HC	20	2
	-412	45E-75E	291116-1	L4Hxxx.HC	24	2
	-510	45-75-45-75-120-45-75-45-75-120	291116-1	J4Sxxx.HC	20	2
	-512	45E-75E	291116-1	L4Hxxx.HC	24	2
	-612	45E-75E	291116-1	L4Hxxx.HC	24	2
KVT, KVR	- 38	90-90-90-135-90-90-90-45	291116-1	H4Exxx.HC	16	1
	-410	117E-27E	291116-1	J4Exxx.HC	20	2
	-512	45E-75E	291116-1	L4Hxxx.HC	24	2
	-616	45E	291116-1	P4Axxx.HC	32	2

INGERSOLL-RAND LISTING CONTINUED ON NEXT PAGE

ENGINE MODEL NO.	FIRING PATTERN	CPU-2000 OUTPUT MOD.	MEMORY CODE NO.	QTY. COILS	NOTES	
INGERSOLL RAND (continued)						
PKVG, PKVGR	- 6	165 °-75 °	291116-1	F4Cxxx.HC	6	
	- 8	90-90-90-135- 90-90-90-45	291116-1	H4Exxx.HC	8	
	- 10	117 °-27 °	291116-1	J4Exxx.HC	10	
	- 12	45 °-75 °	291116-1	L4Hxxx.HC	12	
	- 16	45 °	291116-1	P4Axxx.HC	16	
PKVS, PKVSR	- 6	165 °-75 °	291116-1	F4Cxxx.HC	12	1
	- 8	90-135-45-135 90-45-135-45	291116-1	H4Kxxx.HC	16	1
	-10	45-75-45-75-120- 45-75-45-75-120	291116-1	J4Sxxx.HC	20	2
	-12	45 °-75 °	291116-1	L4Hxxx.HC	24	2
	-16	45 °	291116-1	P4Axxx.HC	32	2
PKVT	-12	75 °-45 °	291116-1	L4Cxxx.HC	24	2
PSVG	- 6	185 °-55 °	291116-1	F4Pxxx.HC	6	
	- 8	90-90-90-65- 90-90-90-115	291116-1	H4Pxxx.HC	8	
	-10	137 °-7 °	291116-1	J4Pxxx.HC	10	
	-12	65 °-55 °	291116-1	L4Pxxx.HC	12	
SVG	- 6	180 °-60 °	291116-1	F4Bxxx.HC	6	
	- 8	90-90-90-60- 90-90-90-120	291116-1	H4Gxxx.HC	8	
	-10	132 °-12 °	291116-1	J4Dxxx.HC	10	
	-12	60 °	291116-1	L4Axxx.HC	12	
SVS, TVS, TVR	- 8	90-135-45-135 90-45-135-45	291116-1	H4Kxxx.HC	16	1
	-10	117 °-27 °	291116-1	J4Exxx.HC	20	2
	-12	45 °-75 °	291116-1	L4Hxxx.HC	24	2
M.E.P.						
M.E.P.	- 6	60 °	291116-1	F2A318.HC	12	1,4
	- 8	45 °	291116-1	H2A318.HC	16	1,4
	-10	36 °	291116-1	J2A318.HC	20	2,4
	-12	30 °	291116-1	L2A318.HC	24	3,4
NORDBERG						
FSE	- 6	120 °	291116-1	F4Axxx.HC	12	1
	-1316	45 °	291116-1	P4Axxx.HC	32	2
RUSTON						
RK270G	-12	75 °-45 °	291116-1	L4C292.HC	24	2,4
	-16	45 °	291116-1	P4A292.HC	32	2,4

**ALTRONIC CPU-2000 IGNITION SYSTEM
LARGE ENGINES, 3-20 CYLINDERS**

**APPLICATION LIST
FORM CPU-2000 AL 1-02**

ENGINE MODEL NO.	FIRING PATTERN	CPU-2000 OUTPUT MOD.	MEMORY CODE NO.	QTY. COILS	NOTES	
SUPERIOR						
825 Series	- 6	120E	291116-1	F4A230.HC	6	4
G, GT	- 8	90E	291116-1	H4A230.HC	8	4
	-12	48E-72E	291116-1	L4D276.HC	12	4,5
	-16	48E-42E	291116-1	P4G276.HC	16	4,5
GTL	- 6	120E	291116-1	F4A230.HC	6	4
	- 8	90E	291116-1	H4A230.HC	8	4
	-12	48E-72E	291116-1	L4D276.HC	12	4,5
	-16	48E-42E	291116-1	P4G276.HC	16	4,5
GTLA, GTLB	- 6	120E	291116-1	F4A230.HC	6	4
	- 8	90E	291116-1	H4A230.HC	8	4
	-12	48E-72E	291116-1	L4D276.HC	12	4
	-16	48E-42E	291116-1	P4G276.HC	16	4
SGT	-12	48E-72E	291116-1	L4D276.HC	12	4,5
	-16	48E-42E	291116-1	P4G276.HC	16	4,5
SGTA, SGTB	- 8	90E	291116-1	H4A230.HC	8	4
	-12	48E-72E	291116-1	L4D276.HC	12	4
	-16	48E-42E	291116-1	P4G276.HC	16	4
2400 Series	2406G	120E	291116-1	F4A180.HC	6	4
	2408G	90E	291116-1	H4A180.HC	8	4
	2412G	60E	291116-1	L4A180.HC	12	4
	2416G	60E-30E	291116-1	P4T180.HC	16	4
WORTHINGTON						
LTC	- 3	120E	291116-1	C2Axxx.HA	6	1
	- 4	90E	291116-1	D2Axxx.HA	8	1
	- 5	72E	291116-1	E2Axxx.HA	10	1
	- 6	60E	291116-1	F2Axxx.HA	12	1
	- 8	45E	291116-1	H2Axxx.HA	16	1
ML (MAINLINER)	- 5	72E	291116-1	E2Axxx.HA	10	1
	- 6	60E	291116-1	F2Axxx.HA	12	1
	- 7	51.43E	291116-1	G2Axxx.HA	14	1
	- 8	45E	291116-1	H2Axxx.HA	16	1
	-10	36E	291116-1	J2Axxx.HA	20	2
MLV (MAINLINER)	- 10	36E	291116-1	J2Axxx.HA	20	2
	- 12	36E-24E	291116-1	L2Dxxx.HA	24	2
	- 14	36E-15.43E	291116-1	N2Dxxx.HA	28	3
	- 16	36E-9E	291116-1	P2Dxxx.HA	32	3
	- 18	36E-4E	291132-1	R2Dxxx.HA	36	6
	-20	0E-36E	291132-1	T2Rxxx.HA	40	6

WORTHINGTON LISTING CONTINUED ON NEXT PAGE

ENGINE MODEL NO.	FIRING PATTERN	CPU-2000 OUTPUT MOD.	MEMORY CODE NO.	QTY. COILS	NOTES	
WORTHINGTON (continued)						
SLHC	- 4	180-90-180-270	291116-1	D4Sxxx.HC	8	1
	- 5	144E	291116-1	E4Axxx.HC	10	1
	- 6	120E	291116-1	F4Axxx.HC	12	1
	- 7	102.86E	291116-1	G4Axxx.HC	14	1
	- 8	90E	291116-1	H4Axxx.HC	16	1
	-10	72E	291116-1	J4Axxx.HC	20	2
UTC, SUTC	- 5	72E	291116-1	E2Axxx.HA	10	1
	- 6	60E	291116-1	F2Axxx.HA	12	1
	- 7	51.43E	291116-1	G2Axxx.HA	14	1
	- 8	45E	291116-1	H2Axxx.HA	16	1
	- 8	0E-90E	291116-1	H2Rxxx.HA	16	6
	-10	36E	291116-1	J2Axxx.HA	20	2

APPLICATION NOTES:

- 1 If using the optional Diagnostic Module, optimum results are obtained with each ignition coil connected to a separate primary output. To provide this for the application listed where two ignition coils are used per cylinder, specify memory code "6" or "8" (see page 1).
- 2 If using the optional Diagnostic Module, optimum results are obtained with each ignition coil connected to a separate primary output. To provide this for the application listed where two ignition coils are used per cylinder, use Output Module 291132-1 and memory code "6" or "8" (see page 1).
- 3 If using the optional Diagnostic Module, optimum results are obtained with each ignition coil connected to a separate primary output. To provide this for the application listed where two ignition coils are used per cylinder, use Output Module 291132-2 and memory code "6" or "8" (see page 1). NOTE: The multi-strike feature is not available with Output Module 291132-2.
- 4 Memory code listed is for standard engine ring gear. If a different number of teeth/holes are to be sensed, the memory code no. must be changed accordingly.
- 5 Alternate ring gear has 249 teeth; check number to verify correct memory code no.
- 6 This application is not available with two outputs for each cylinder (memory code 6 or 8).