



8-, 16-, and 24-PT. TEMPERATURE MONITORS WITH SERIAL COMMUNICATIONS DSM-43900 SERIES

- 3 MODELS:
 - 8-, 16- AND 24-POINT UNIVERSAL TEMPERATURE MONITORS
- UNIVERSAL OPERATING FEATURES:
 - 4 SETPOINTS PER INDIVIDUAL CHANNEL
 - 1 OR 2 TEMPERATURE GROUPS WITH DIFFERENTIAL PROTECTION AND 6 SETPOINTS PER GROUP
 - 2 SOLID STATE OUTPUT SWITCHES
 - BARGRAPH DISPLAY OF PROXIMITY TO SETPOINT
 - MODBUS RTU, RS-485 SERIAL COMMUNICATIONS
 - 4 SELECTABLE BAUD RATES, 9,600 TO 57,600
- 12–30 VDC-POWERED
- RUGGED POWDER-COATED ALUMINUM CASE

The Altronic DSM-43900DUS digital setpoint monitors are universal microprocessor-based instruments designed to monitor engine, process and other critical temperatures using standard J or K thermocouples. Power is from any 12- or 24-volt DC source capable of supplying 10 watts. An RS-485 port provides communication capability in the ModBus-RTU protocol.

Three models are available: **DSM-43908DUS** (8 channels), **DSM-43916DUS** (16 channels), and **DSM-43924DUS** (24 channels). The DSM-43900 series has four individual setpoints (two high and two low) per channel. Two output switches are provided; all level 1 setpoints trip output switch 1, and all level 2 setpoints trip output switch 2. This allows the DSM-43900 devices to be used in alarm/shutdown service or virtually any other configuration where the monitored points serve two functions. Modbus RTU communications is standard in the DSM-43900 models with baud rate selectable at 9,600/19,200/38,400/57,600.

DSM-43900 models can also be programmed for a user-selected number of channels in one or two groups having six common group setpoints (two high, two low and two differential). This feature can be used, for example, to monitor functions such as engine cylinder exhaust and compressor cylinder temperatures.

Model DSM-43908DUS can also be operated to simulate the popular DSM-4388DUS model, which it replaces. In this mode, there is one high and one low setpoint per channel and one form C, solid-state output switch.

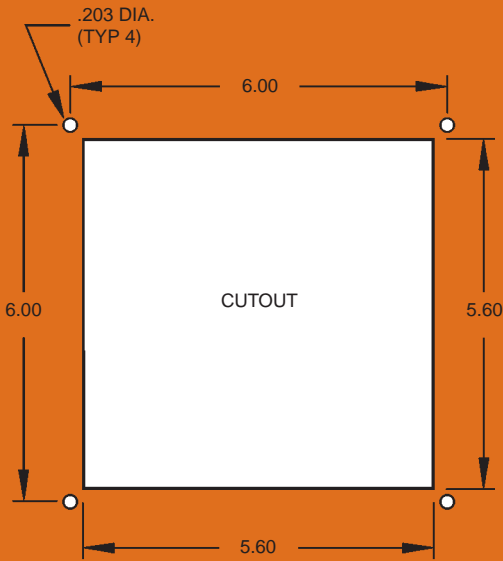
The backlit, alphanumeric LCD display indicates all setup and monitored information. The front panel sealed membrane keypad provides easy selection and adjustment of the units, range, setpoints and other configuration data. Any fault trips one of two solid-state output switches; fault information by sequence of occurrence is available on the display and via the serial port. The integral RS-485 port allows the monitored values and status of all channels to be communicated to a PC, PLC or the Altronic DE series annunciators.

The DSM devices are housed in gasketed, powder-coated aluminum cases and assembled using stainless steel hardware, making them ideal for oilfield or other demanding environmental applications.

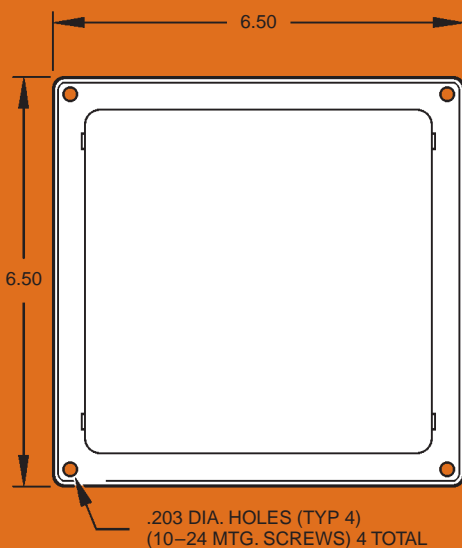


CERTIFIED CLASS 1,
DIVISION 2
GROUP C AND D

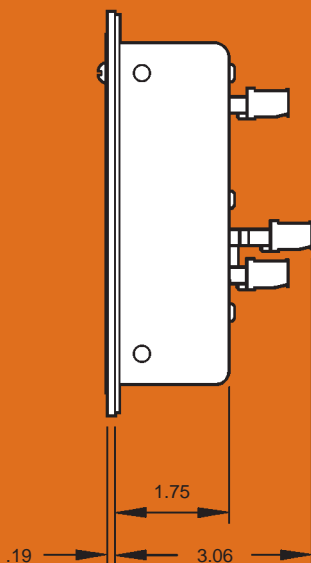
DIMENSIONS



RECESSED MOUNTING



.203 DIA. HOLES (TYP 4)
(10-24 MTG. SCREWS) 4 TOTAL



SPECIFICATIONS

POWER REQUIREMENT	12-30 VDC, 100 MA MAX.
THERMOCOUPLE TYPE	TYPE J OR K (USER SELECTABLE)
HAZARDOUS AREA CLASSIFICATION ..	CLASS I, DIV. 2, GROUP C and D
INSTRUMENT DISPLAY	2x16 BACKLIT, ALPHANUMERIC
INSTRUMENT RANGE	-76°F. TO +1472°F. / -60°C. TO +800°C.
INSTRUMENT ACCURACY	±1% OF READING, ±3 UNITS
DISPLAY UPDATE RATE	1/SEC.
OUTPUT SWITCHES	2, SOLID STATE, (N.O./N.C.) 200 VDC, 200 MA CONTINUOUS
AMBIENT TEMPERATURE RANGE	-40°F. TO +175°F. / -40°C. TO +80°C.
COLD JUNCTION COMPENSATION	AUTOMATIC

TO ORDER

DIGITAL SETPOINT MONITORS, TYPE J OR K THERMOCOUPLE:

8-POINT UNIVERSAL MONITOR	DSM-43908DUS*
16-POINT UNIVERSAL MONITOR	DSM-43916DUS
24-POINT UNIVERSAL MONITOR	DSM-43924DUS**

- * Replaces prior model DSM-4388DUS
- ** Replaces prior model DSM-43920DUS

OTHER DSM MODELS

**Two other specialized DSM models are also available.
Each has its own set of unique features and capabilities.**

DSM-43820DUS – 20-Point Exhaust System Monitor
Points organized in 3 groups (16-2-2)

DSM-4689DUS – 8-Point Analog Signal Monitor with RPM,
Overspeed and Hours
(pictured)



**altronic[®]
inc.**

712 TRUMBULL AVE / GIRARD, OH 44420
(330) 545-9768 / Fax: (330) 545-9005
www.altronicinc.com E-mail: sales@altronicinc.com

Form DSM43000 7-04 ©2004 Altronic, Inc.